

LABORATORY DESIGN FOR:
**BISHOP GARCIA
DIEGO HS**

01/28/08



Supplier Partnership for Customer Solutions
LABORATORY FURNITURE GROUP

**CUSTOMER VERIFICATION
APPROVAL SIGN OFF**

VERIFICATION NOTES
- FABRICATION WILL NOT BEGIN UNTIL CUSTOMER HAS VERIFIED ALL FIELDS NOTED WITH AN ARROW AND/OR "VERIFY" ON ALL DRAWINGS PROVIDED BY VWR.
- WRITE "O.K." NEXT TO ALL DIMENSIONS THAT PROVE TO BE ACCURATE.
- WRITE IN REVERSED DIMENSION IF FIELD DIMENSION IS DIFFERENT FROM THE DIMENSION SHOWN ON THE DRAWINGS.
- BY APPROVING THESE PLANS OWNER CONFIRMS VERIFICATION OF ALL DIMENSIONS SHOWN UNLESS OTHERWISE NOTED.

APPROVED
 APPROVED AS NOTED
 NOT APPROVED/RESUBMIT
 CABINET LOCKS BEING USED
 LOCK OPTION NOTED ON PAGE 2

SIGNATURE _____
DATE _____

CASEWORK
 VWR SILQUETTE OAK #101 NATURAL OAK
WORKTOP
 1 1/2" THICK KEMRESIN BLACK
SHELVING

FUME HOODS

CEILING HEIGHT/TYPE VERIFICATION
 DROPPED DRYWALL OTHER _____

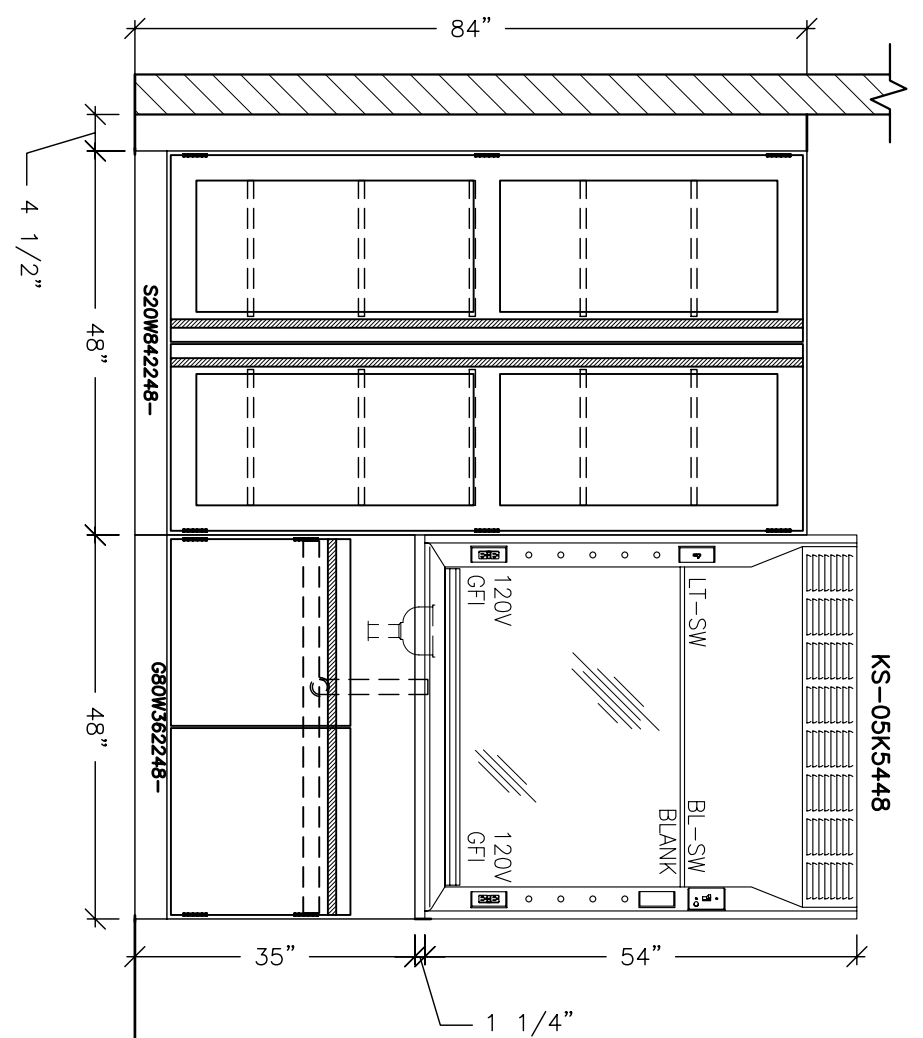
PROJECT INFORMATION

QUOTE NO. **J11-090307** JOB NO. _____

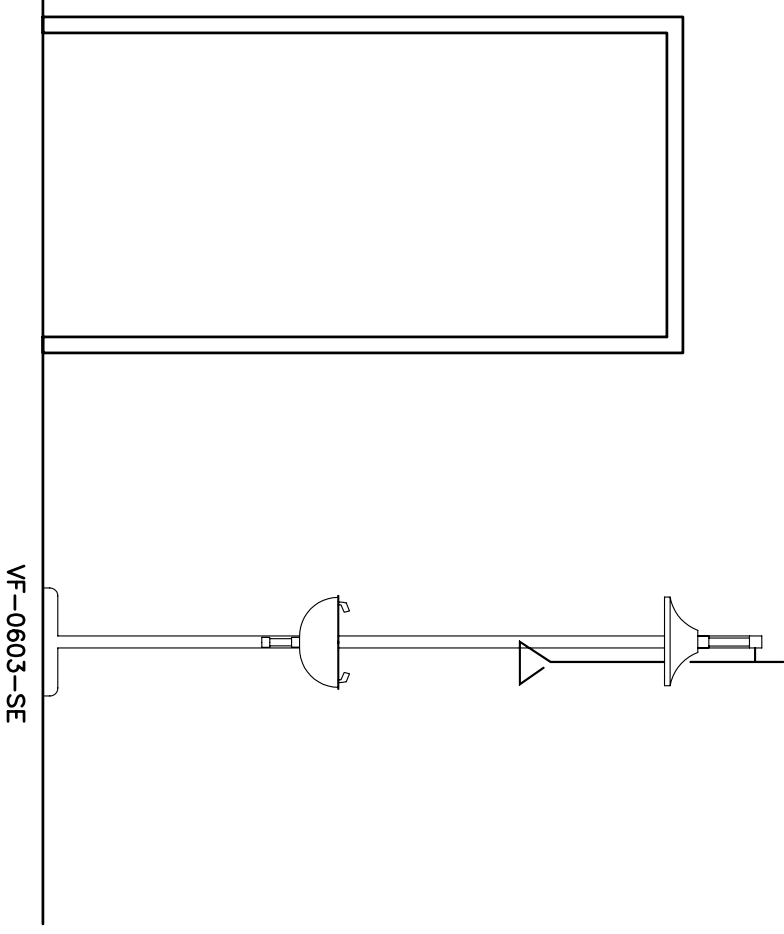
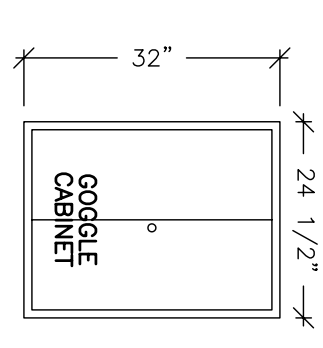
DRAWING TYPE **PROPOSAL DRAWING**

REVISION NO. **1** PAGE **7** OF **7**

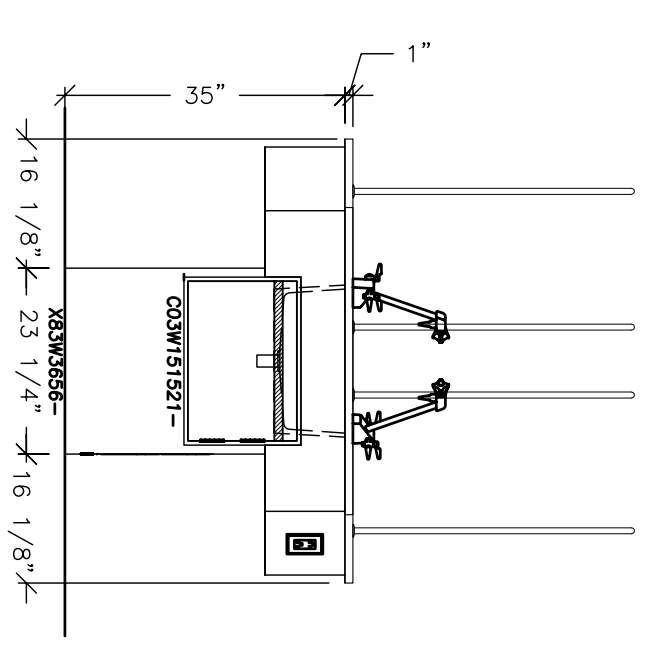
3021 GATEWAY DR., SUITE 280
IRVING, TX 75063
PHONE: (888) 624-2432
FAX: (972) 753-1389



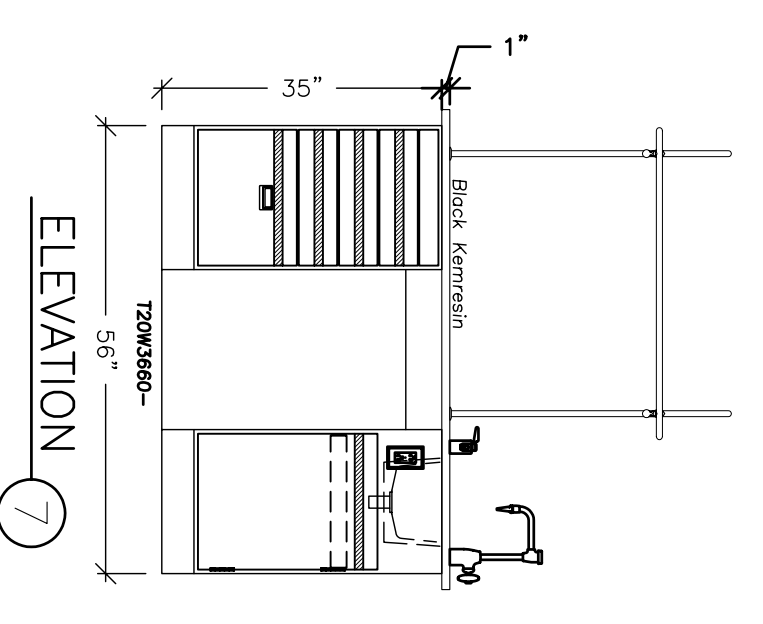
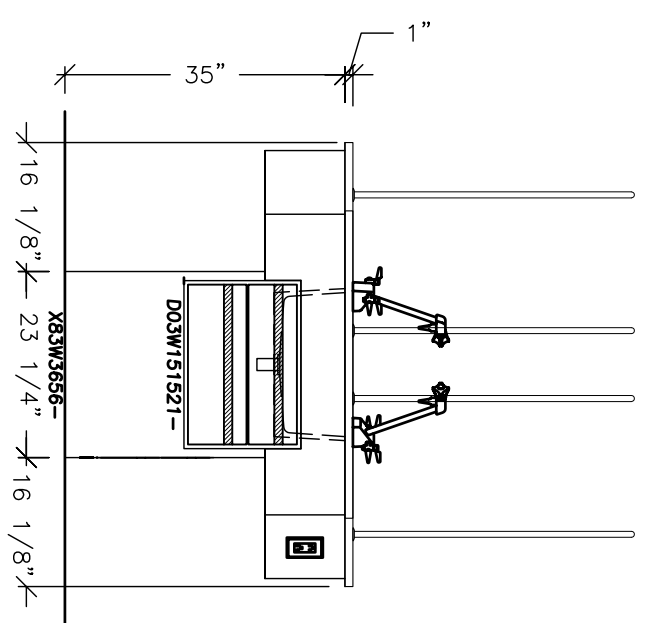
ELEVATION 5



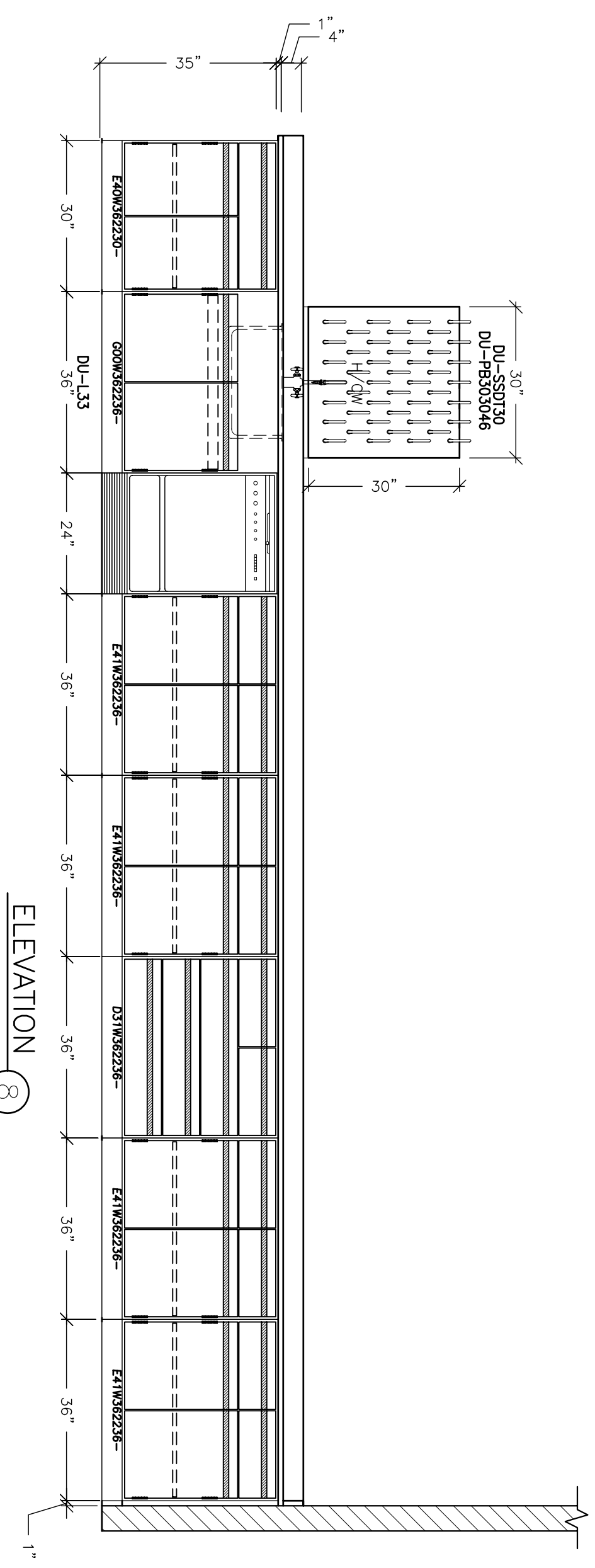
ELEVATION 6



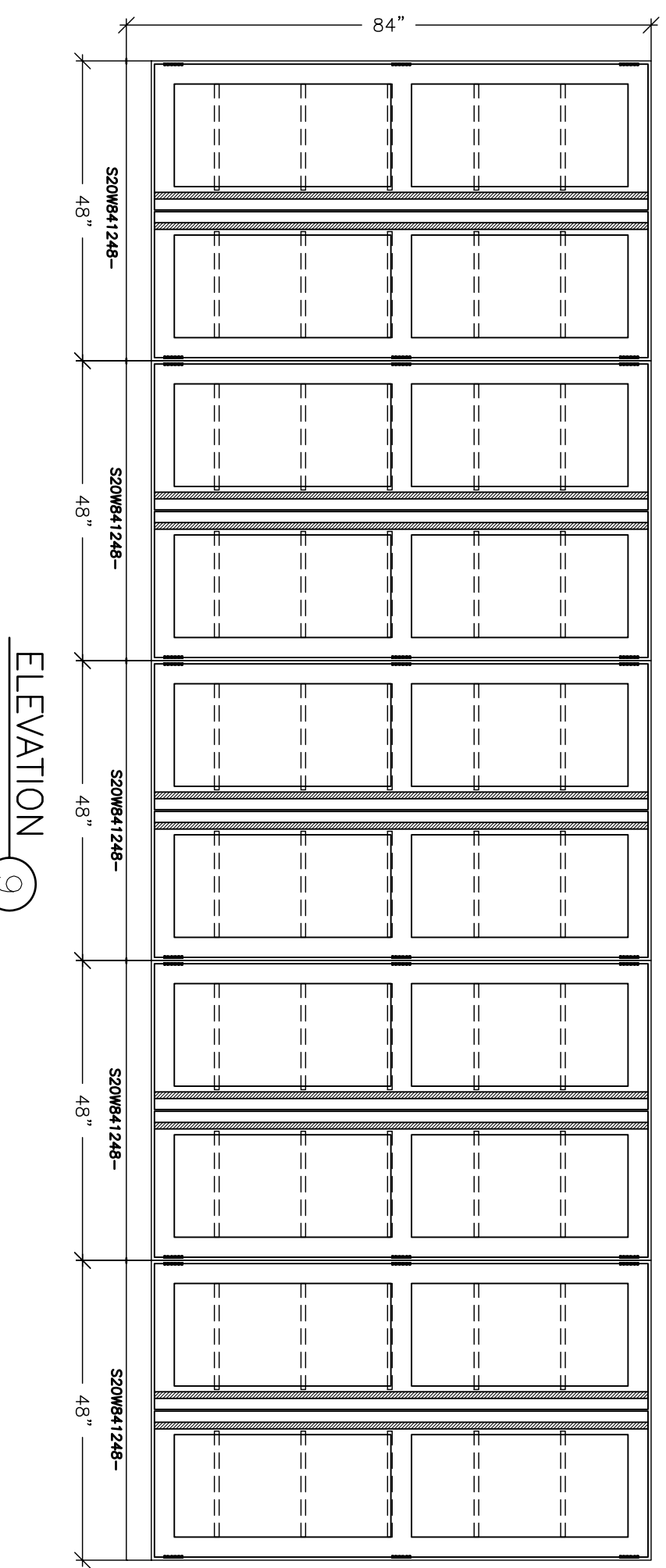
ELEVATION 6A



ELEVATION 7



ELEVATION 8



ELEVATION 9

LABORATORY DESIGN FOR:
BISHOP GARCIA DIEGO HIGH SCHOOL SCIENCES LABORATORIES



3021 GATEWAY DR.
 SUITE 280
 IRVING, TX. 75063
 888-624-2432
 FAX: 972/753-1389
 WWW.VWR.COM
 © 2006

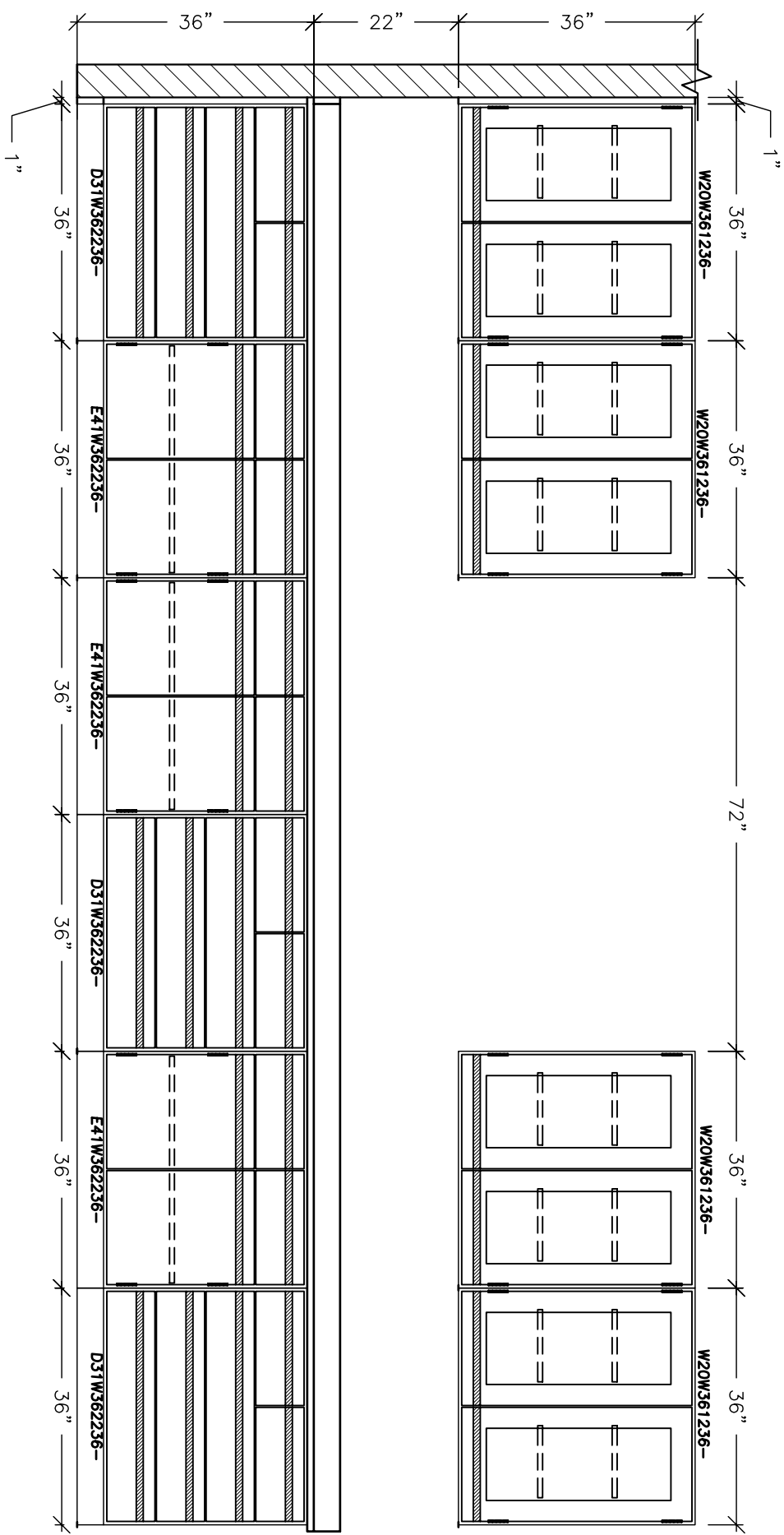
QUOTE/DWG #: **JJ1-090307**

DRAWN BY: **G. FISHER**
 CHECKED BY:

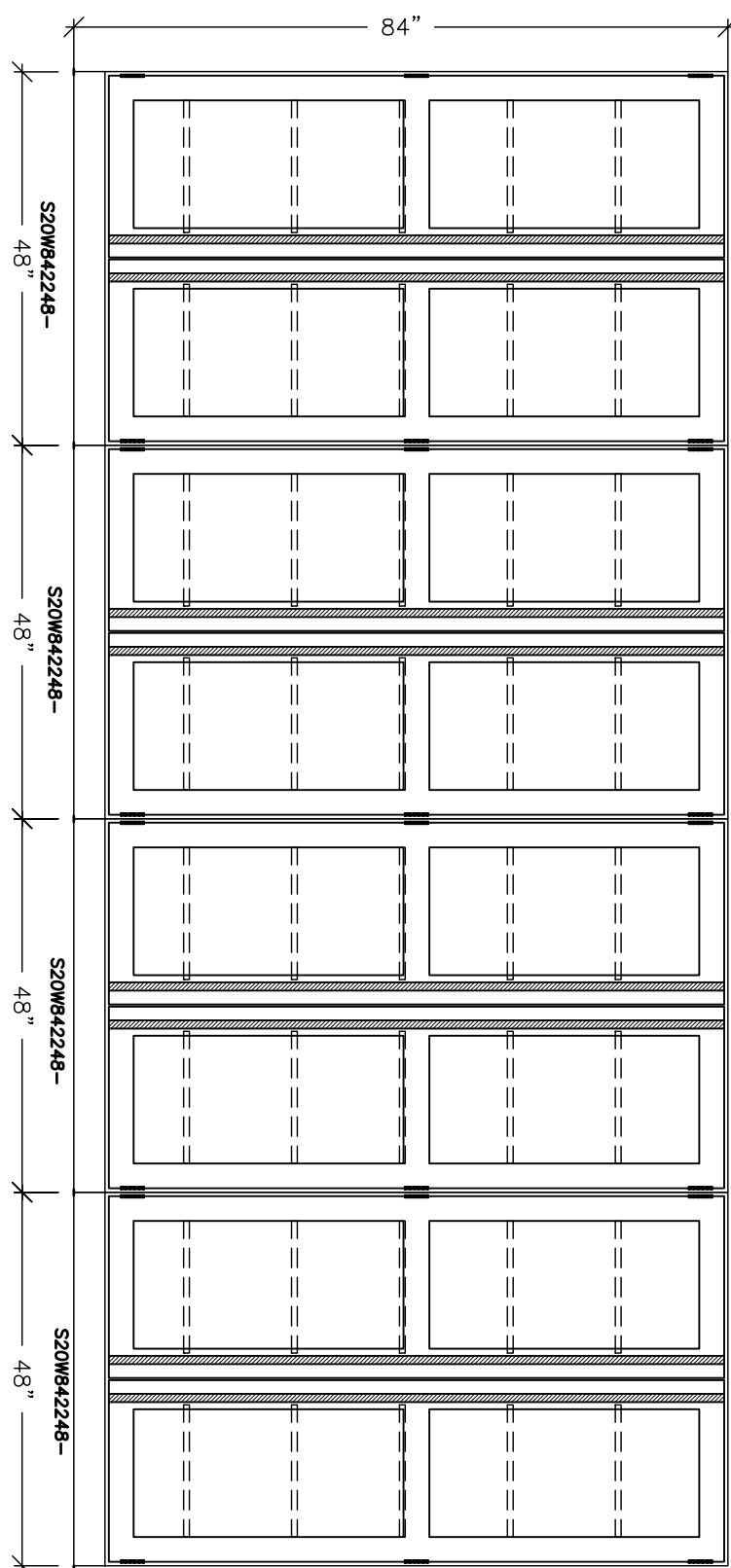
DATE: **01/28/08**

SCALE: **1/2"=1'-0"**

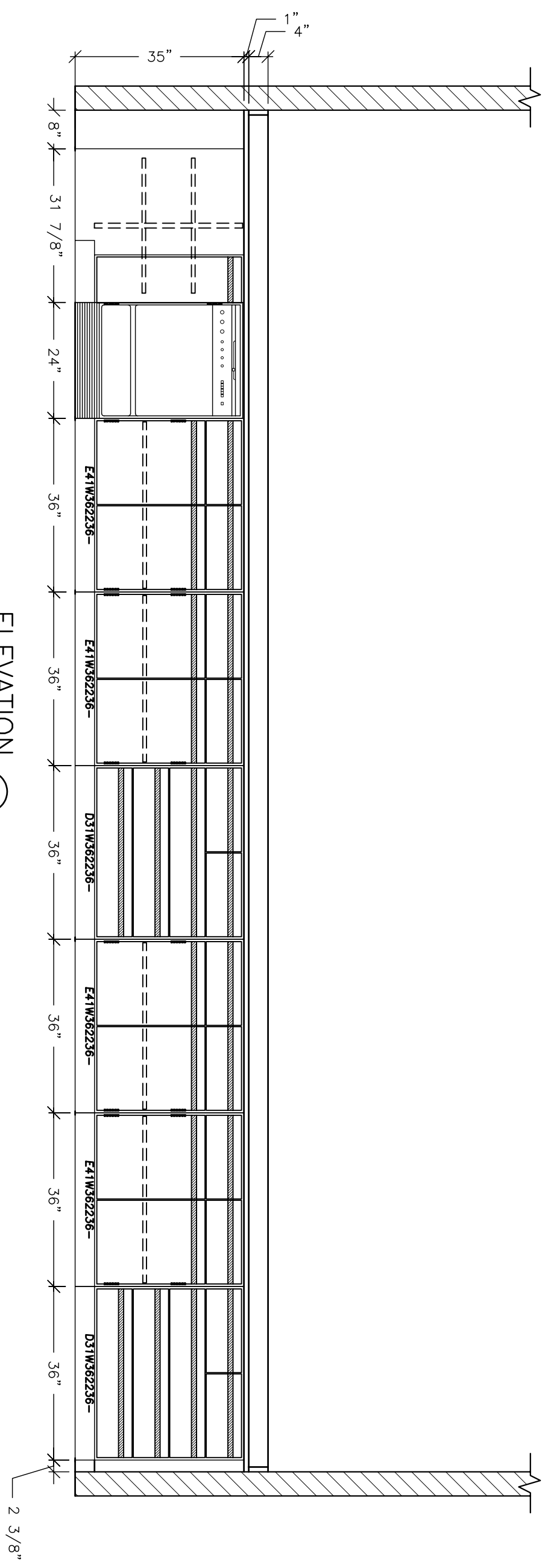
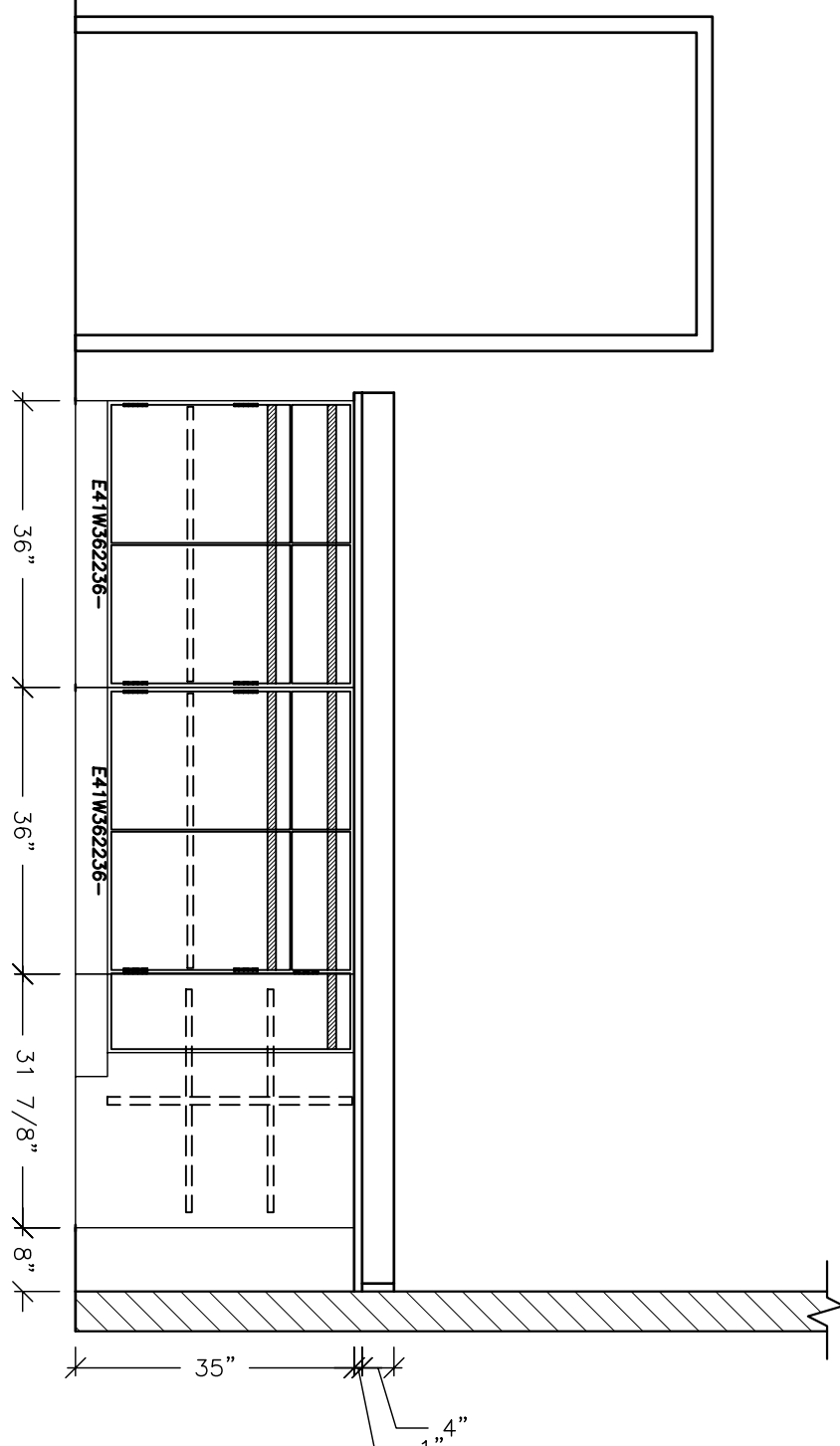
REVISION HISTORY
1
2
3
4
5



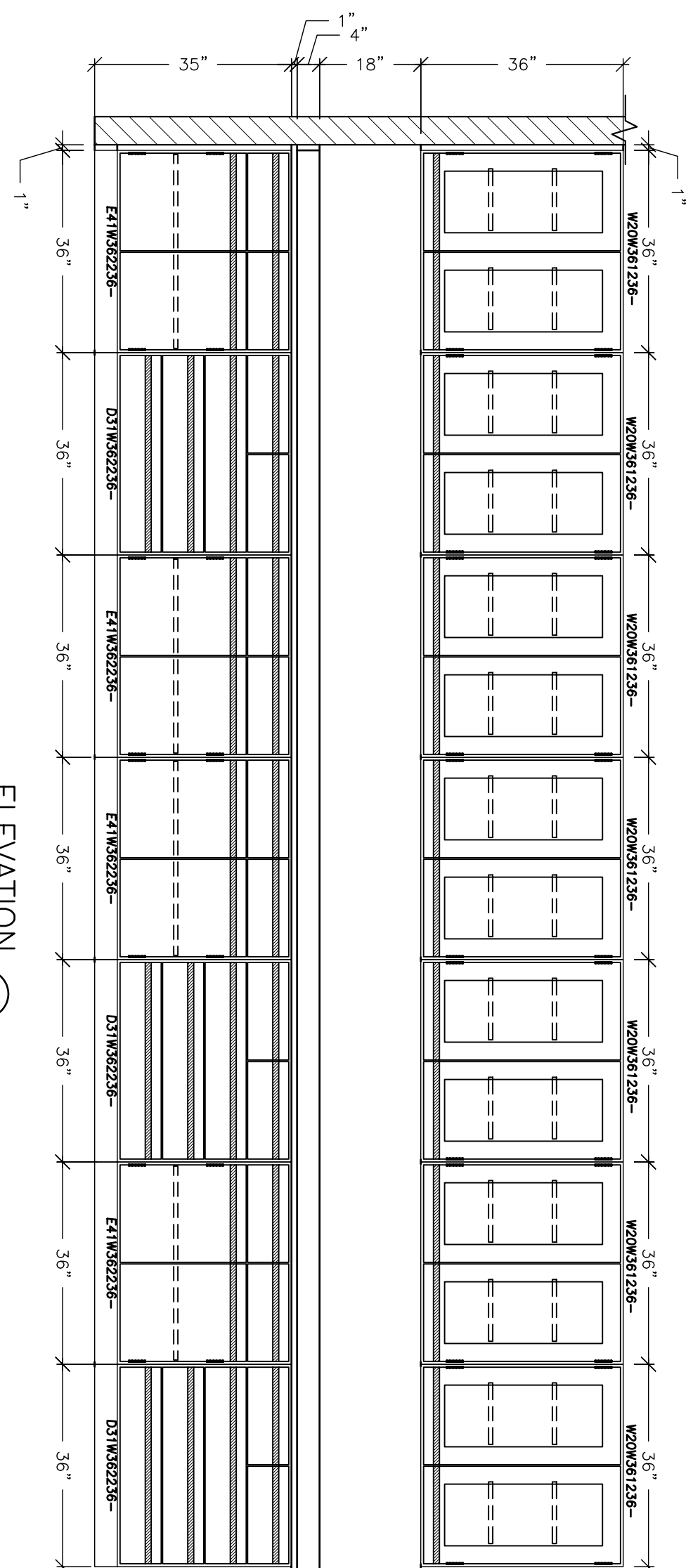
ELEVATION ①



ELEVATION ②



ELEVATION ③



ELEVATION ④

LABORATORY DESIGN FOR:
BISHOP GARCIA DIEGO HIGH SCHOOL SCIENCES LABORATORIES



3021 GATEWAY DR.
 SUITE 280
 IRVING, TX. 75063
 888-624-2432
 FAX: 972/753-1389
 WWW.VWR.COM
 © 2006

QUOTE/DWG #: **JJ1-090307**

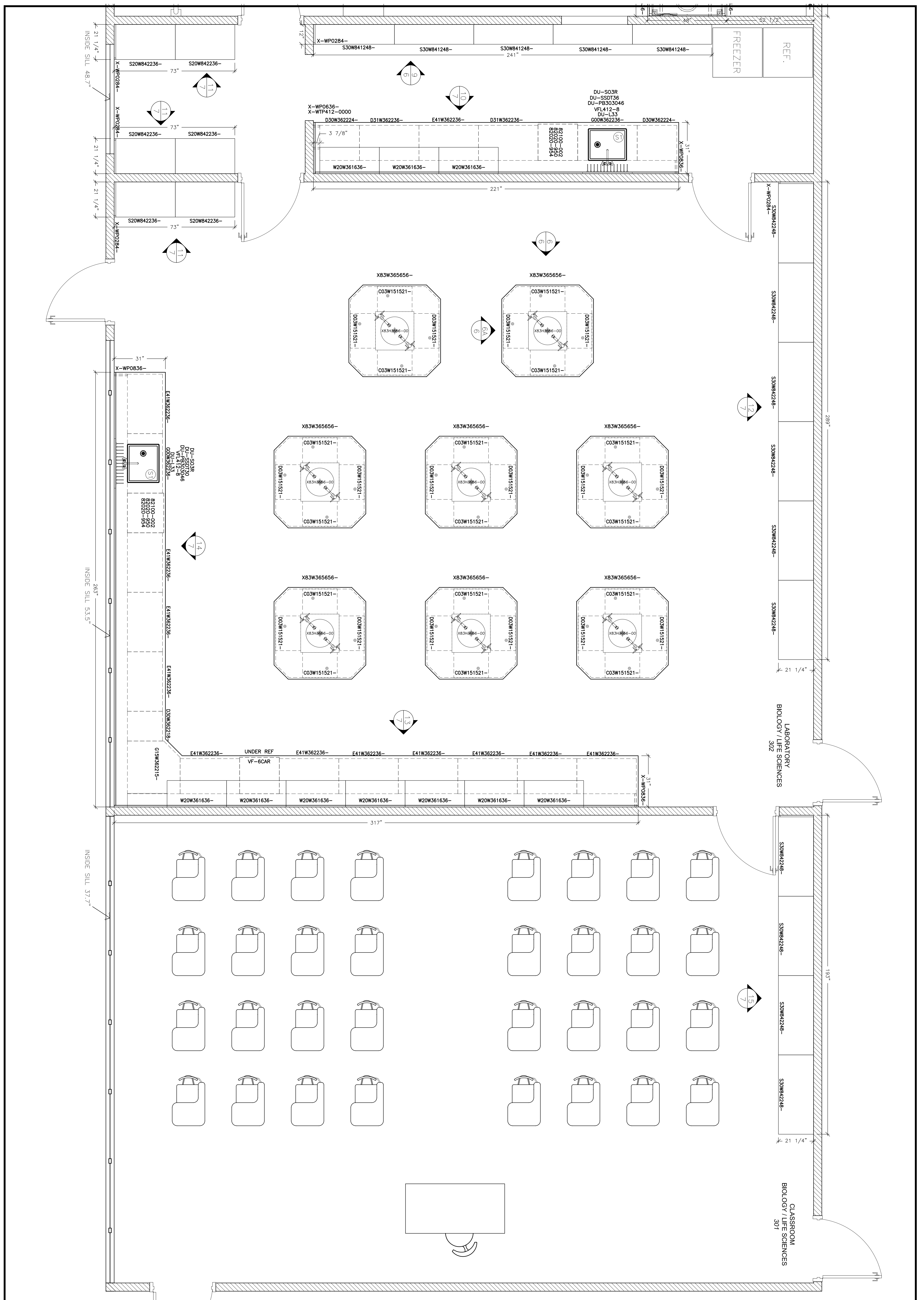
DRAWN BY: **G. FISHER**
 CHECKED BY:

DATE: **01/28/08**
 SCALE: **1/2"=1'-0"**

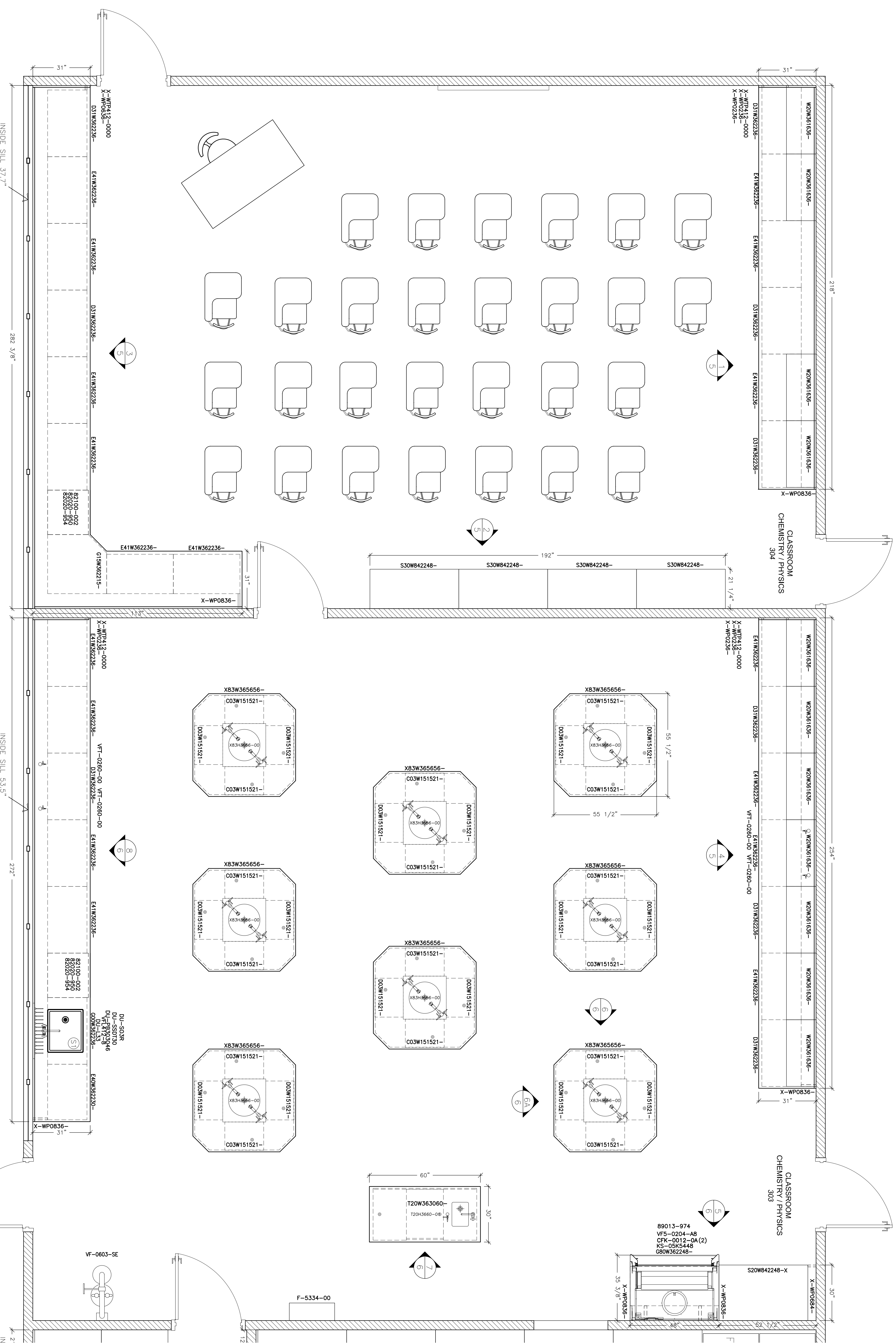
REVISION HISTORY

1	
2	
3	
4	
5	

PROJECT FLOOR PLAN
5
 OF **7**



<p>DATE: 01/28/08</p> <p>SCALE: 1/2"=1'-0"</p> <p>REVISION HISTORY</p> <table border="1" style="width: 100%; border-collapse: collapse;"> <tr><td style="width: 5%;">1</td><td></td></tr> <tr><td>2</td><td></td></tr> <tr><td>3</td><td></td></tr> <tr><td>4</td><td></td></tr> <tr><td>5</td><td></td></tr> </table>	1		2		3		4		5		<p>DRAWN BY: G. FISHER</p> <p>CHECKED BY:</p> <p>QUOTE/DWG #: JJ1-090307</p>	<p>LABORATORY DESIGN FOR:</p> <h2 style="margin: 0;">BISHOP GARCIA DIEGO HIGH SCHOOL SCIENCES LABORATORIES</h2>	<p>VWR™</p> <p>Supplier Partnership for Customer Solutions</p> <p>LABORATORY FURNITURE GROUP</p>	<p>3021 GATEWAY DR. SUITE 280 IRVING, TX. 75063 888-624-2432 FAX: 972/753-1389 WWW.VWR.COM © 2006</p>
1														
2														
3														
4														
5														



PROJECT FLOOR PLAN 3 OF 7	QUOTE / DWG #: JJ1-090307 DRAWN BY: G. FISHER CHECKED BY:	LABORATORY DESIGN FOR: BISHOP GARCIA DIEGO HIGH SCHOOL SCIENCES LABORATORIES	VWR Supplier Partnership for Customer Solutions LABORATORY FURNITURE GROUP	3021 GATEWAY DR. SUITE 280 IRVING, TX. 75063 888-624-2432 FAX: 972/753-1389 WWW.VWR.COM © 2006
REVISION HISTORY 1 2 3 4 5	DATE: 01/28/08 SCALE: 1/2"=1'-0"			

